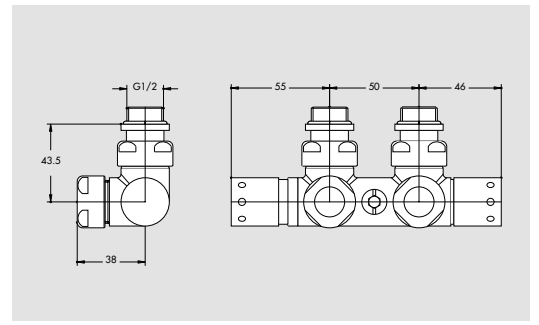






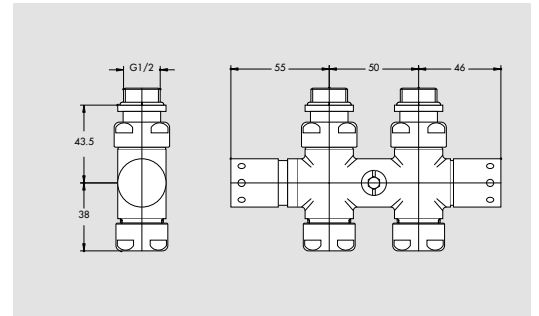
Angled valve 5 cm pipe centres  
 Vanne équerre entraxe 5 cm  
 Ventil für 5 cm Mittelanschluss  
 Válvula a escuadra 5 cm

|                |      |
|----------------|------|
| <b>E12SQ5B</b> | BIAN |
| <b>E12SQ5N</b> | NEOP |
| <b>E12SQ5R</b> | CROM |
| <b>E12SQ5X</b> | INOX |
| <b>E12SQ5G</b> | GOLD |



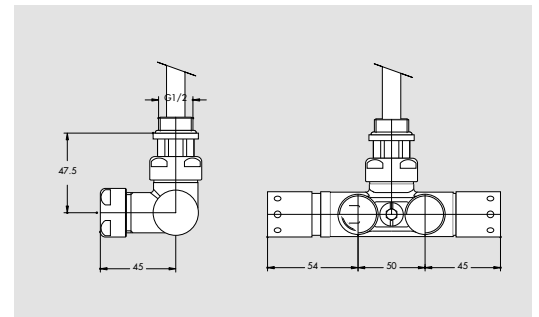
Straight valve 5 cm pipe centres  
 Vanne droit entraxe 5 cm  
 Ventil für 5 cm Mittelanschluss  
 Válvula recta 5 cm

|                |      |
|----------------|------|
| <b>E12DR5B</b> | BIAN |
| <b>E12DR5N</b> | NEOP |
| <b>E12DR5R</b> | CROM |
| <b>E12DR5X</b> | INOX |
| <b>E12DR5G</b> | GOLD |



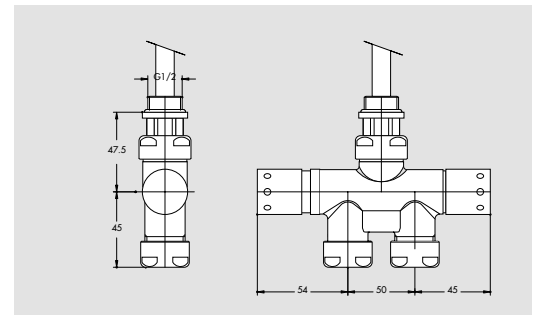
Angled monotube valve  
 Vanne monotube équerre  
 Einrohrige Ventil  
 Válvula monotubo a escuadra

|                 |      |
|-----------------|------|
| <b>E12MBSQB</b> | BIAN |
| <b>E12MBSQN</b> | NEOP |
| <b>E12MBSQR</b> | CROM |
| <b>E12MBSQX</b> | INOX |
| <b>E12MBSQG</b> | GOLD |



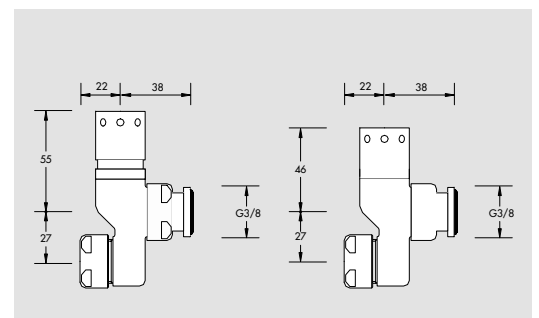
Straight monotube valve  
 Vanne monotube droit  
 Einrohrige Ventil  
 Válvula monotubo recta

|                 |      |
|-----------------|------|
| <b>E12MBDRB</b> | BIAN |
| <b>E12MBDRN</b> | NEOP |
| <b>E12MBDRR</b> | CROM |
| <b>E12MBDRX</b> | INOX |
| <b>E12MBDRG</b> | GOLD |



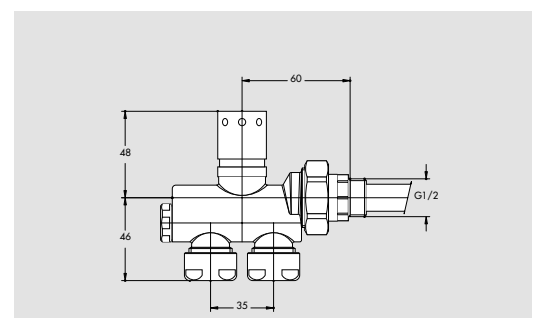
"S" Valve  
 Vanne "S"  
 "S" Ventil  
 Válvula "S"

|              |      |
|--------------|------|
| <b>E38SB</b> | BIAN |
| <b>E38SN</b> | NEOP |
| <b>E38SR</b> | CROM |
| <b>E38SX</b> | INOX |
| <b>E38SG</b> | GOLD |



Monotube valve  
 Vanne monotube  
 Einrohrige Ventil  
 Válvula monotubo

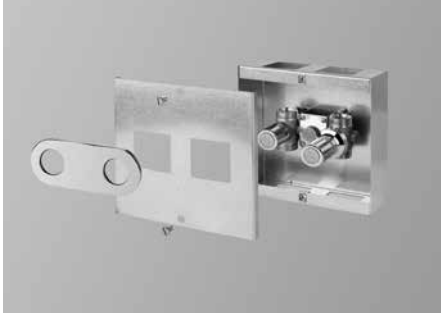
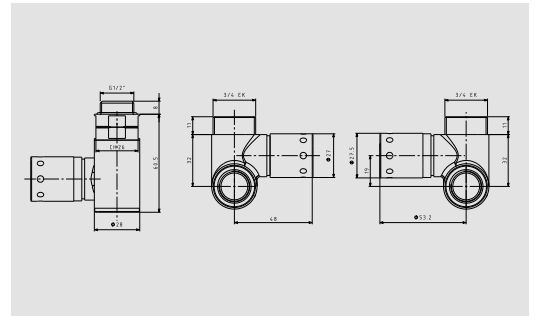
|                 |      |
|-----------------|------|
| <b>E12M159B</b> | BIAN |
| <b>E12M159N</b> | NEOP |
| <b>E12M159R</b> | CROM |
| <b>E12M159X</b> | INOX |
| <b>E12M159G</b> | GOLD |





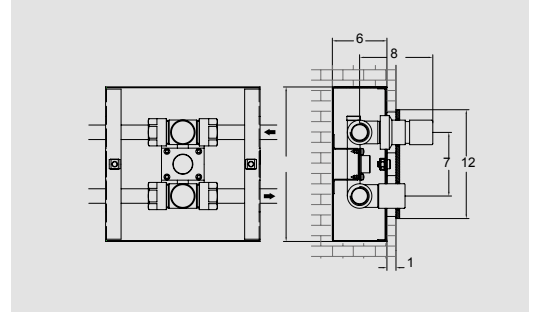
Mixed valves  
 Soupapes mixtes  
 Mischventile  
 Válvulas mixtas

|                   |      |
|-------------------|------|
| <b>E12MIB</b>     | BIAN |
| <b>E12MIR</b>     | CROM |
| <b>E12MICBCOR</b> | BCOR |
| <b>E12MIN</b>     | NEOP |



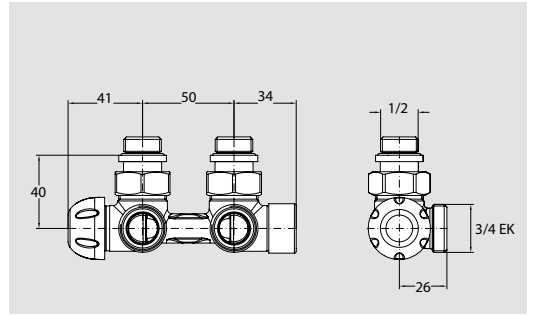
Built-in valves  
 Vanne encastrer  
 Einbauventile  
 Válvulas de empotrar

|               |      |
|---------------|------|
| <b>E12VIB</b> | BIAN |
| <b>E12VIN</b> | NEOP |
| <b>E12VIR</b> | CROM |
| <b>E12VIX</b> | INOX |
| <b>E12VIG</b> | GOLD |



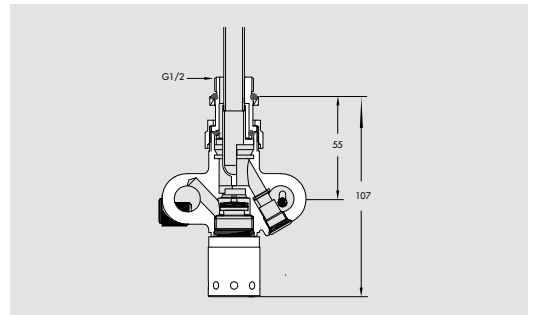
Ti\_q Angled Valve  
 Vanne équerre Ti\_q  
 Eckausführung Ventil Ti\_q  
 Válvula a escuadra Ti\_q

|                 |      |
|-----------------|------|
| <b>E12SQ5EN</b> | NIKE |
|-----------------|------|



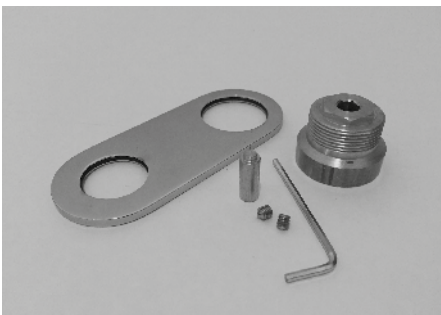
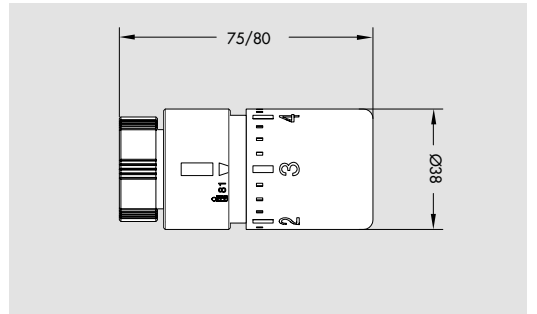
Monotube valve 5 cm pipe centres  
 Vanne monotube entraxe 5 cm  
 Einrohrventil 5 cm Rohrmitten  
 Válvula monotubo 5 cm

|                  |      |
|------------------|------|
| <b>E12MBYSQB</b> | BIAN |
| <b>E12MBYSQN</b> | NEOP |
| <b>E12MBYSQR</b> | CROM |
| <b>E12MBYSQG</b> | GOLD |



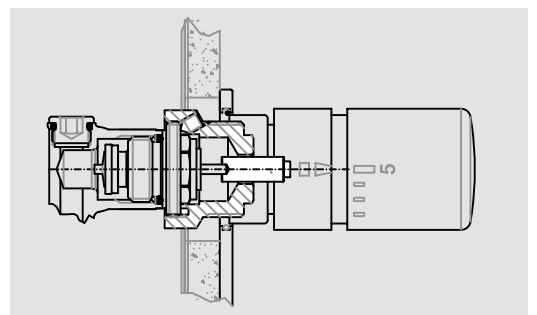
Thermostatic head  
 Tête thermostatique  
 Thermostatkopf  
 Cabezal termostático

|            |      |
|------------|------|
| <b>TTB</b> | BIAN |
| <b>TTN</b> | NEOP |
| <b>TTR</b> | CROM |
| <b>TTX</b> | INOX |
| <b>TTG</b> | GOLD |



Adaptor thermostatic head for bu  
 Adaptateur de tête thermostatique  
 pour la vanne à encastrer  
 Adaptador cabezal termostático  
 empotradas  
 Adapterkit für Thermostatkopf für

|               |      |
|---------------|------|
| <b>KTTVIB</b> | BIAN |
| <b>KTTVIN</b> | NEOP |
| <b>KTTVIR</b> | CROM |
| <b>KTTVIX</b> | INOX |
| <b>KTTVIG</b> | GOLD |



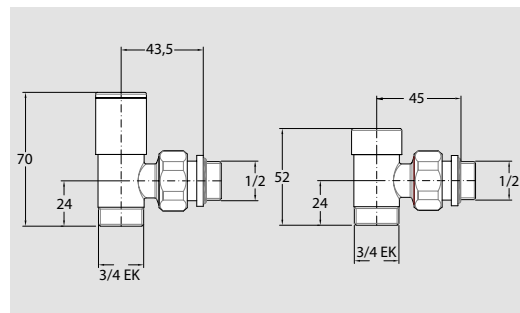
# Compact valves / Vanne Compact / Kompactventile / Válvulas Compact

Antrax IT Compact valves are not thermostatic  
 Les vannes Compact Antrax IT ne sont pas thermostatiques  
 Thermostatköpfe werden nicht auf unsere Compact Ventile montiert  
 Las válvulas Compact Antrax it no son termostaticables



Compact Angled Valve (**not thermostatic**)  
 Vanne Compact équerre (**ne sont pas thermosta-  
 tiques**)  
 Eckausführung Compact Ventile (**nicht thermosta-  
 tisch**)  
 Válvula Compact a escuadra (**no son termostati-  
 zables**)

|               |      |
|---------------|------|
| <b>E12CMB</b> | BIAN |
| <b>E12CMR</b> | CROM |



## O'ring for copper pipe system Raccords pour tube en cuivre Anschlüsse für den kupfer Roh Enlace para tubo cobre

|      |         |
|------|---------|
| RR10 | Ø 10 mm |
| RR12 | Ø 12 mm |
| RR14 | Ø 14 mm |
| RR15 | Ø 15 mm |
| RR16 | Ø 16 mm |
| RR18 | Ø 18 mm |

## O'ring for multilayered system Raccord pour tube en multistrat Anschlüsse für den multischichten Enlace para tubo multicapa

|          |                |         |               |
|----------|----------------|---------|---------------|
| RM14X2   | Ø 14 x 2 mm    | RM20X2  | Ø 20 x 2 mm   |
| RM16X2   | Ø 16 x 2       | RM20X25 | Ø 20 x 2,5 mm |
| RM16X225 | Ø 16 x 2,25 mm |         |               |
| RM17X2   | Ø 17 X 2 mm    |         |               |
| RM17X25  | Ø 17 X 2,5 mm  |         |               |
| RM18X2   | Ø 18 x 2 mm    |         |               |

## O'ring for iron system Raccord pour tube en fer Anschlüsse für den eisen Roh Enlace para tubo de hierro

|      |        |
|------|--------|
| RF12 | Ø 1/2" |
| RF38 | Ø 3/8" |